

# PL 86 DUAL

Log Palletizer



# PL 86 DUAL - Log Palletizer for two log stackers

The automatic log palletizer PL 86 DUAL is based on the PL 86 and replaces the manual or semi-automated palletizing onto two pallets. The PL 86 DUAL takes over the compressed and strapped logs from two connected log stackers. Equipped with a single clamp the PL 86 DUAL picks up the logs from the tilt table of the connected log stackers and places them onto two pallets. Flexible configuration options allow for easy integration into existing equipment even in production environments with limited space.

## Features:

- Heavy-duty design
- PLC control system
- Pneumatic clamp with motorized pads
- Automatic pick-up of the log and deposit on the pallet
- Pre-setting of palletizing parameters through operator panel: log size, log rotation, pallet format, package plan
- Log rotation of 90°, 180° or 270° for optimized handling in bindery
- Integrated cabinet

## Options:

- Empty pallet dispenser and automatic pallet feeding
- Automatic ejection of full pallet
- Turntable for 90° automatic pallet rotation on palletizing position

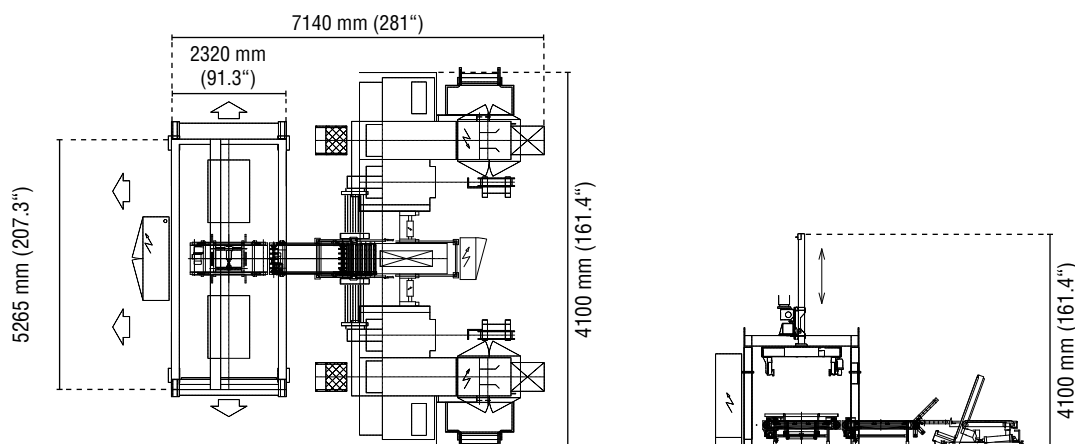
## Technical Data PL 86 DUAL

	PL 86 DUAL/100	PL 86 DUAL/120
Log length (compressed)	600 - 1000 mm (23.6" - 39.4")	800 - 1200 mm (31.5" - 47.2")
Signature formats	min. 200* x 120 mm (7.9" - 4.7") - max. 500* x 315 mm (19.7" - 12.4")	
Cycle time	~ 50 sec (for two logs)	
Log rotation	0°, 90°, 180°, 270° (along the longitudinal axis)	
Max. log weight	150 kg (330 lbs)	
Full pallet height	max. 1530 mm (60.2") including pallet	
Pallet dimensions	min. 800 x 800 mm (31.5" x 31.5"); max. 1200 x 1200 mm (47.2" x 47.2"); height: 150 mm (5.9")	
Power requirement	4.5 KVA (3 ph - 400 V - 50 Hz)	
Air consumption	60 NI/cycle - 6 bar (87 psi)	
Noise level	76 dB (A)	
Weight	2700 kg (5953 lbs)	

Technical specification available on request. The manufacturer reserves the right to change the technical specifications without prior notice. (PL86DUAL-EN-Nov08).

\* spine

## Top View & Side View



**CIVIEMME SYSTEM**  
www.civiemme-system.com

CIVIEMME-SYSTEM S.r.l. - Via per Cressa - 28010 Bogogno (NO) - Italy - Phone: +39 - 0322 807 100 - Fax: +39 0322 807 182 - info@civiemme-system.com

### Exclusive Dealers:

RIMA-SYSTEM Europe, Germany - Monschauer Str. 1, D - 40549 Düsseldorf - Telefon: +49 - 211 - 950090 - Telefax: +49 - 211 - 9500911 - info@rima-system.com  
 RIMA-SYSTEM Atlanta LLC, USA - 2840 Johnson Ferry Road, Suite 250 - Marietta, GA 30062-8309 - Phone: +1 - 770 - 998 5622 - Fax: +1 - 770 - 998 5680 - postpress@rima-system.net  
 RIMA-SYSTEM Far East Pte Ltd, Singapore - 11 Stamford Road, 3-10 Capitol Building - Singapore 178884 - Phone: +65 - 6 338 5580 - Fax: +65 - 6 338 5582 - rima@rimasystem.com.sg  
 SYSTEM UK Ltd. - Unit 7, Oaklands Enterprises - Braydon, Swindon - Wiltshire SN5 0AN - United Kingdom - Phone: +44 - 1793 853167 - Fax: +44 - 1793 850320 - sales@rima-system.co.uk